



i Series
LED High Bay / Flood / Tunnel Light



Overview

- ✓ Simplistic and charming design, less is more
- ✓ Can be used as high bay light, flood light or tunnel light
- ✓ Suitable for indoor and outdoor warehouse, stadium, tunnel, etc
- ✓ Luminous efficacy up to 130lm/w, lifespan up to 62,000+ hours
- ✓ 20% lighter and 10% smaller than the last generation



5 Year Warranty for the entire luminaire



Reliable LED Lighting Technology

The special Reliable LED Lighting Technology provides significant advantages in terms of luminous efficiency, minimising losses refraction and reflection inside the optical system. This system ensures a lower density of dirt and maintaining the luminaire performance for a very long period.

Protect the LED Source

As the key to guarantee the total life span of the luminaire, the protection of the LED source is the core topic in the designing of luminaire. The carefully selected Mitsubishi PC cover and waterproof rubber ring ensured the total IP of the whole product. And it also protect the LED chip from the external agents and impact.

Temperature Control

I Series is designed with superb heat radiation technique. The heat and air can go through the whole luminaire via the gaps between the modules. This product also has a self-clean ability. When the rain came, the fixture will be washed and the dirt automatically goes out.

By the excellent heat radiation ability, **the temperature rising of iL street light is only <math><26\text{ }^{\circ}\text{C}</math>**. And the lamp can work in the environment from

Multifunction Applications

The i Series was designed to fit many different applications like high/low bay lighting, flood lighting and tunnel lighting. In specific, it can use in warehouse, indoor and outdoor sports stadium, high mast application, tunnel, and many more.

FLOOD/HIGH BAY/TUNNEL LIGHT



Now you have **ONE** solution for more than **6** Different applications. save your money and inventory!



Project Demonstrations of i Series



Tennis court in Los Angeles

Office in United States



Courtyard in Lithuania



Project Demonstrations of i Series

Nestle Warehouse in USA



Factory Lighting in Canada



Carrefour Parking lot in France



Wall lighting in Australia



Tennis Court in Los Angeles USA



Football field in Germany



Tennis Court in Italy



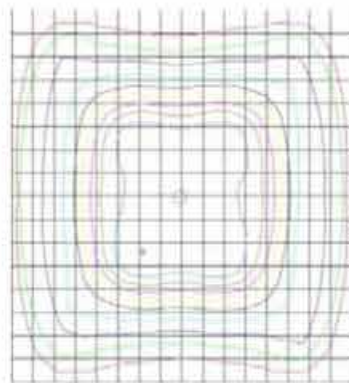
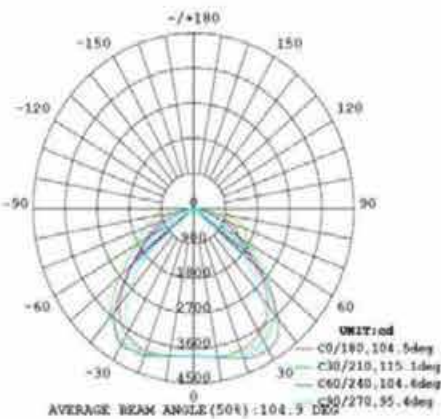
International Airport Lighting in USA



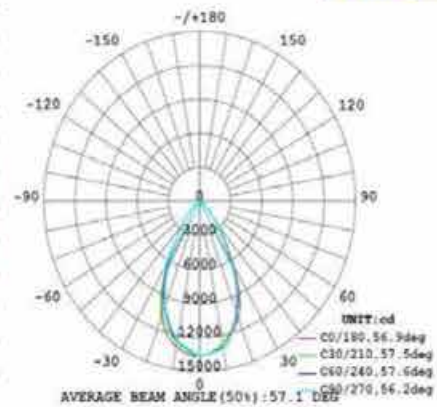
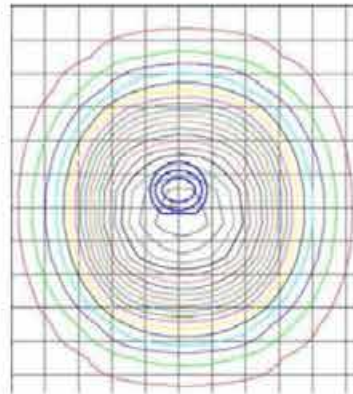
Multiple Light Distribution Options

The i Series has 3 main lens options: the 90*100 degrees, 60 degrees and 120 degrees. 90*100 lens is the most common one, suitable for tunnel lighting and many areas like warehouse, countryyard, etc, the installation height is between 6-12 meters. The 60 degrees lens is suitable for the large area with more than 12 meters installation height, the light is more concentrate than the 90*100 one. And the 120 degrees suitable for low installation height like <6 meters. This lens brings the best evenness. Last but not least, also offers the other lens options such as 15°, 30°, etc.

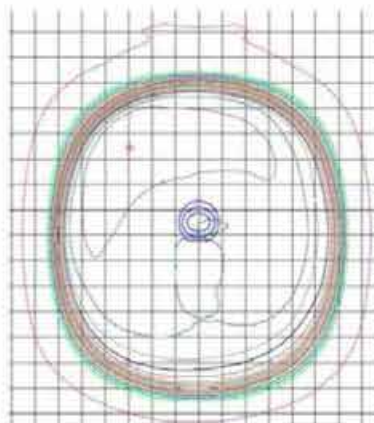
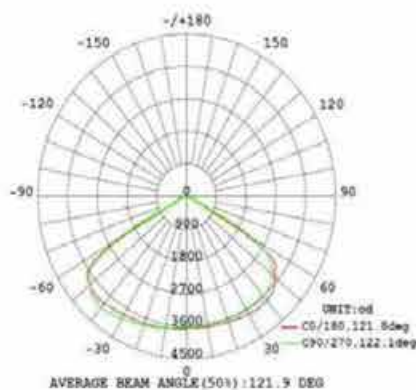
90*100 degrees



60 degrees



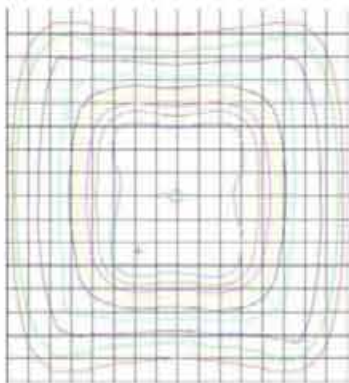
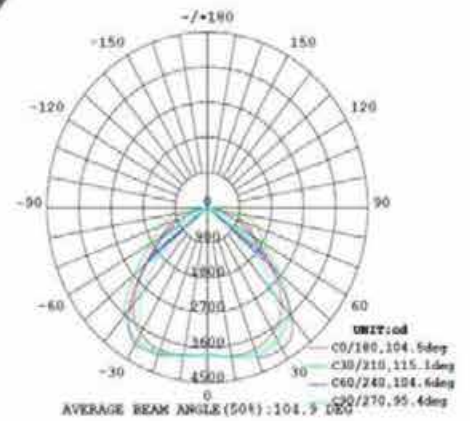
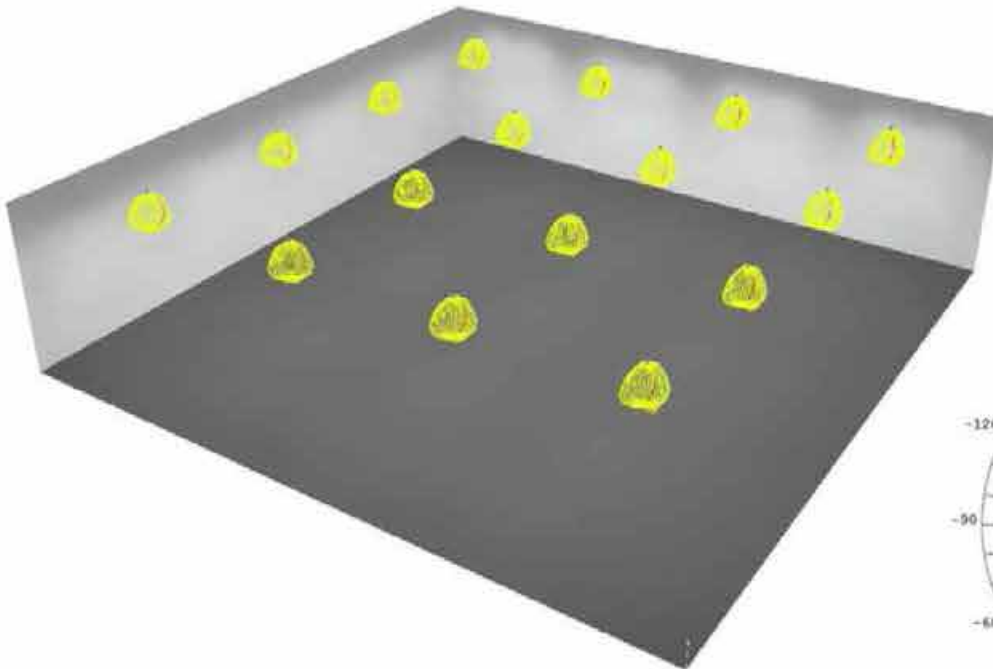
120 degrees



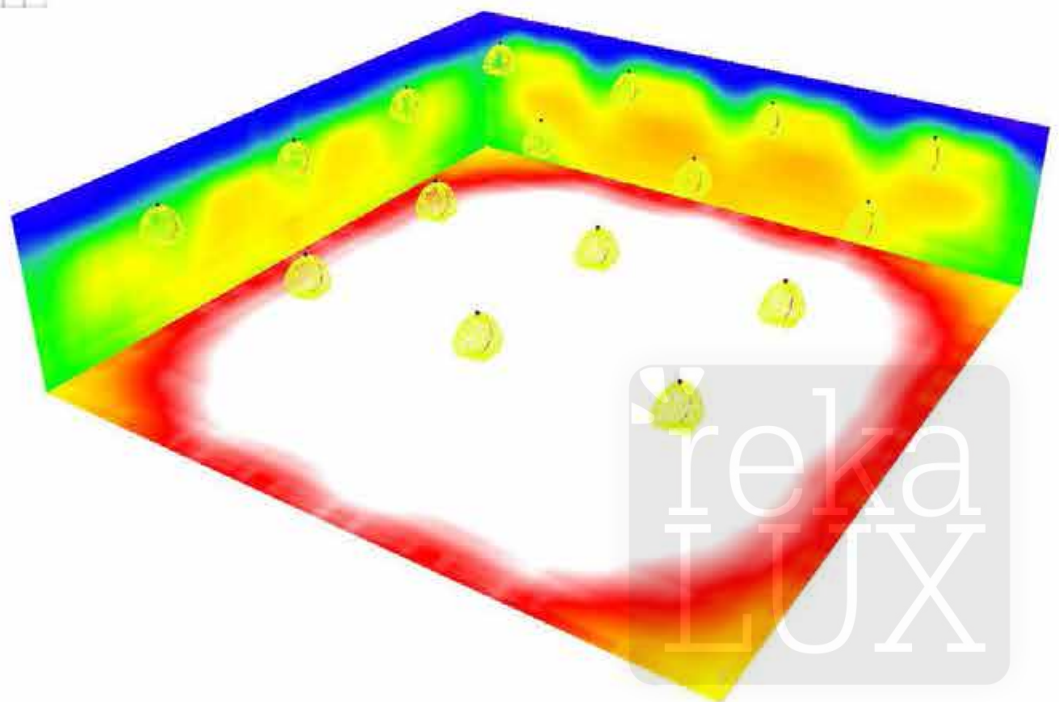
also offers the other lens options such as 15°, 30°, etc.



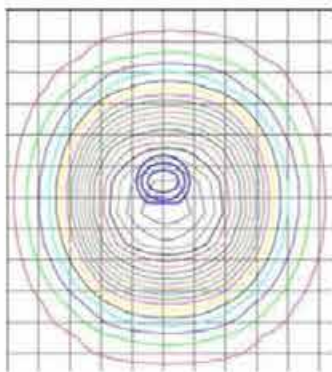
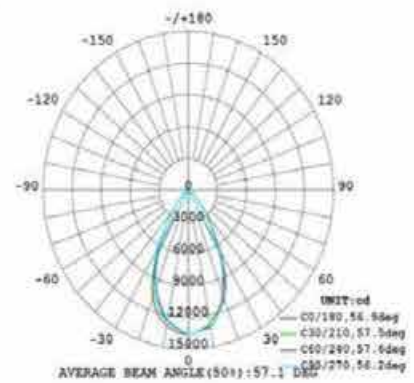
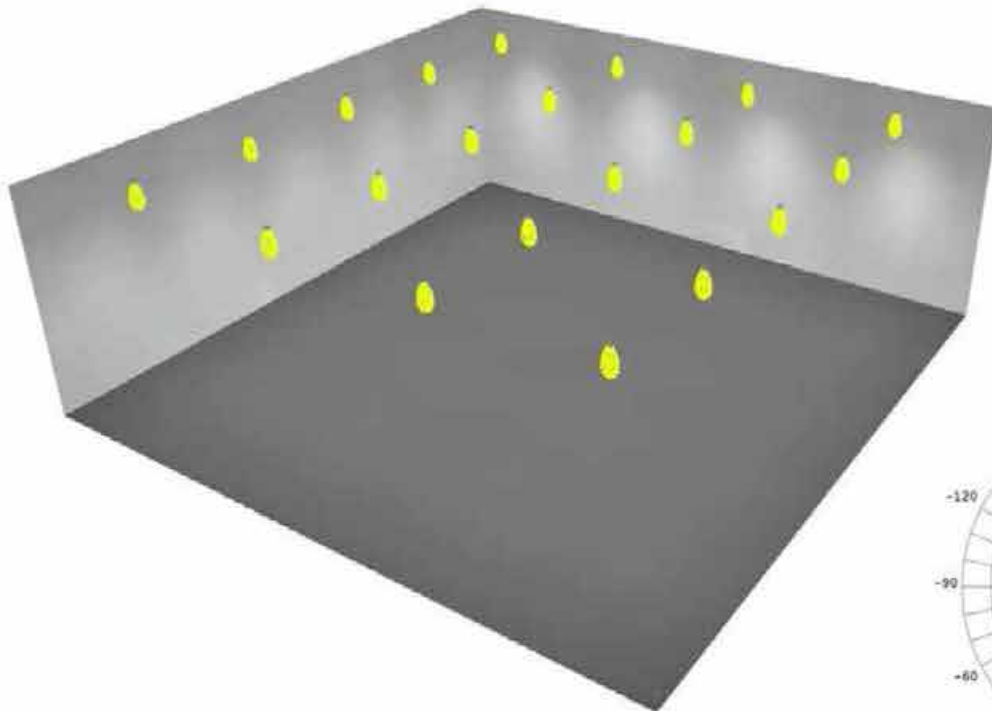
90*100° Lens



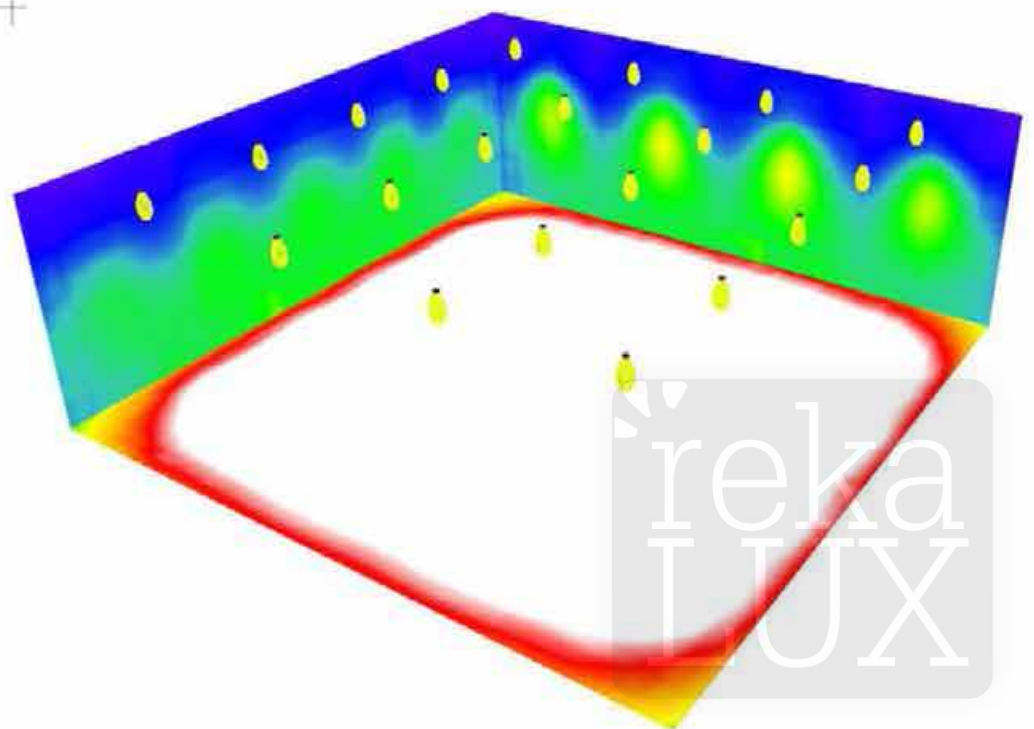
The 90*100° lens is the most common option for i Series. This lens fit for most of areas of 6-12 meters installation height. In this demonstration project, the length and width of the area is 30 meters. And the installation height is 7 meters. With 16 Pos of 160W i Series of 90*100 lens, the average lux on the ground is >200 lux.



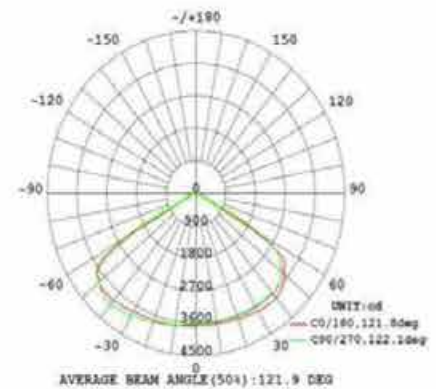
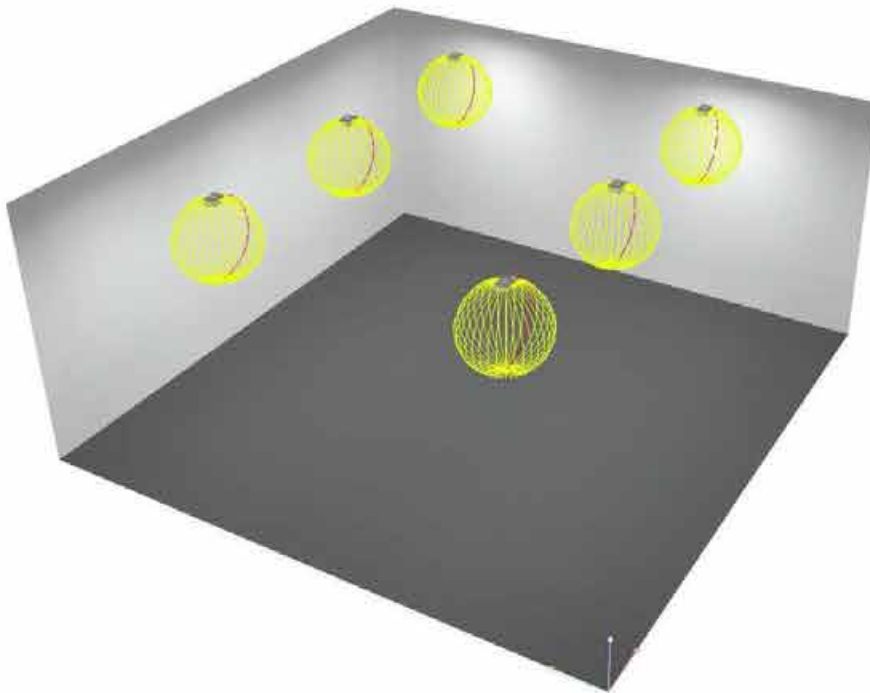
60° Lens



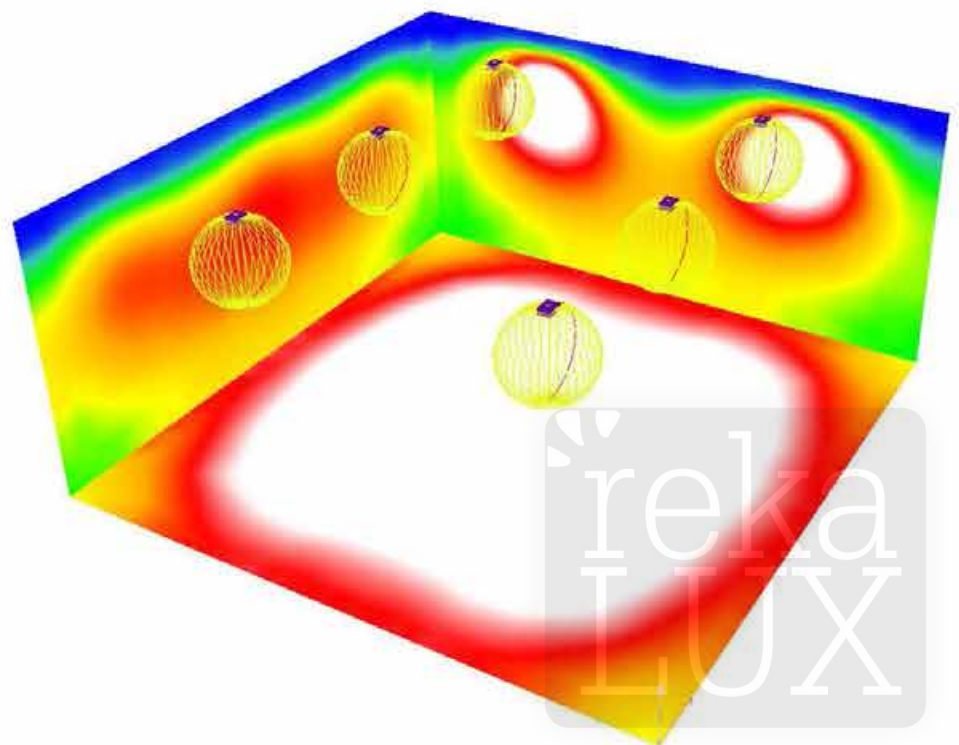
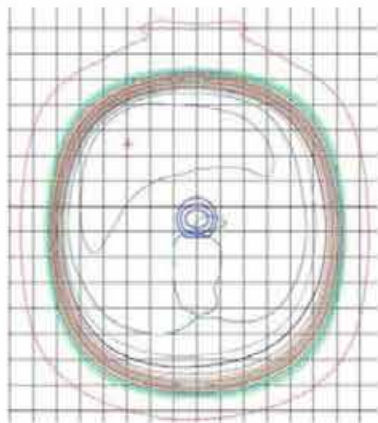
The 60° lens suitable for larger areas with more than 12 meters installation height. This lens makes the light more concentrate than the 90°*100° lens. In this demonstration project, there is an area with 40 meters long and 40 meters wide and 13 meters installation height. With 20 Pcs of 200W i Series in 60° lens the average lux on the ground is >200.



120° Lens



The 120° lens suitable for smaller areas of <6 meters installation height that requires low glare. In this demonstration project, there is an area of 12 meters long and 12 meters wide and 5 meters installation height. With 6 Pcs of 80W i Series of 120° degrees lens, there is >200 lux on the ground in average.



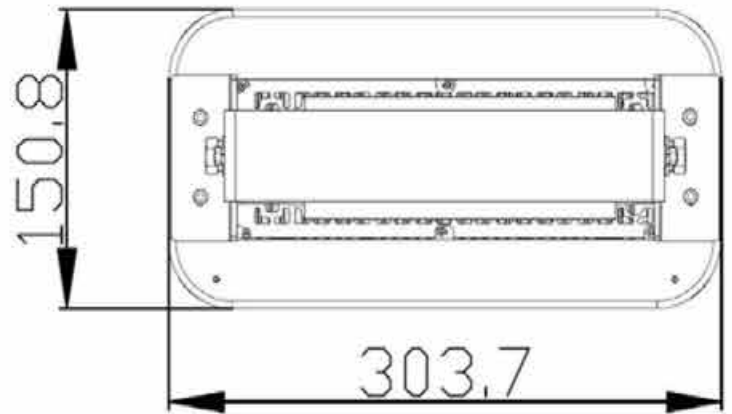
40Wi

LED High Bay / Flood Tunnel Light, 80-100W HID Replacement



New

Optical control function optional
 Dimming functions optional
 +Three in One (1-10V DC / PWM / Resistance)
 +Timer - Contact for Details



Specifications

Electrical Specifications

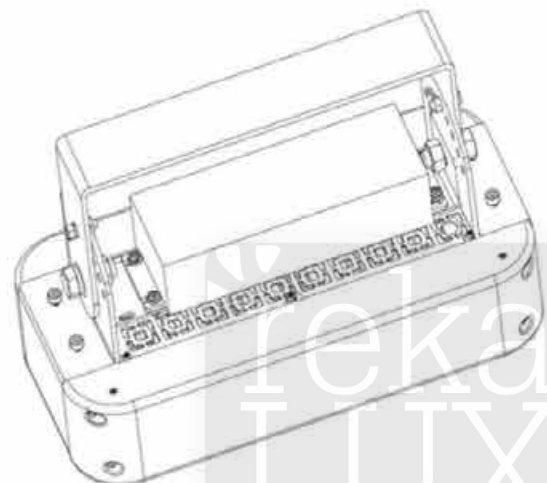
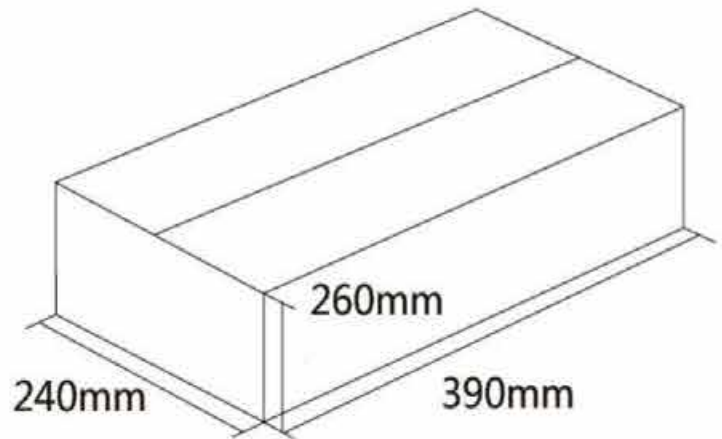
Model No.	40Wi
Nominal Wattage	40W
Nominal Voltage	90-305VAC, 50/60Hz
Maximum Current	AC 0.45A (max)
Power Factor (PF)	>0.95
Driver Efficiency	>90%

Photometric Specifications

Luminous Flux	+Lumen tolerance +/- 5% 4,000-4,400lm
CRI	Ra>78
CCT	3000K/4000K/5000K/5700K/6500K
Optional Beam Angle	90°/100°, 30°, 60°, 120°

Mechanical Specifications

IP Rating	IP65
Lifetime	62000 hours - L70, @25°C
Heat Radiator	Anodized Aluminum
Lens	PC
Fixture Dimension	304*151*183mm 11.9*5.9*7.2 inches
Net Weight	3.3kg
Carton Dimension	390*240*260mm
Gross Weight	3.9kg

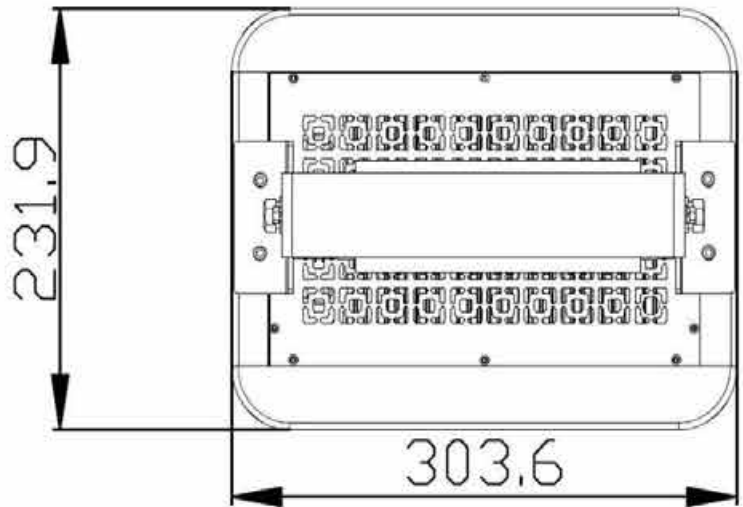


80Wi

LED High Bay / Flood Tunnel Light, 160-200W HID Replacement



New



Optical control function optional
 Dimming functions optional
 +Three in One (1-10V DC / PWM / Resistance)
 +Timer - Contact for Details

Specifications

Electrical Specifications

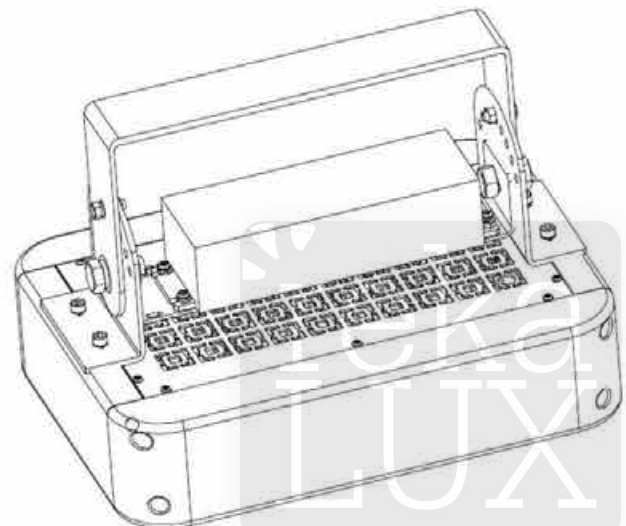
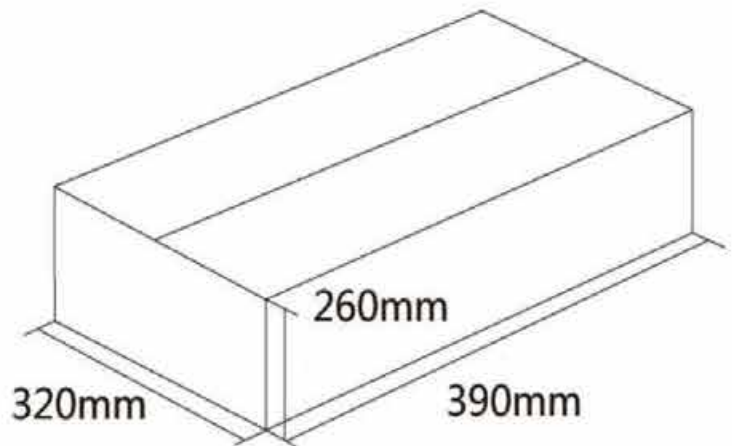
Model No.	80Wi
Nominal Wattage	80W
Nominal Voltage	90-305VAC, 50/60Hz
Maximum Current	AC 0.9A (max)
Power Factor (PF)	>0.95
Driver Efficiency	>92%

Photometric Specifications

Luminous Flux	+Lumen tolerance +/- 5% 8,000-8,800lm
CRI	Ra>78
CCT	3000K/4000K/5000K/5700K/6500K
Optional Beam Angle	90°/100°, 30°, 60°, 120°

Mechanical Specifications

IP Rating	IP65
Lifetime	62000 hours - L70, @25°C
Heat Radiator	Anodized Aluminum
Lens	PC
Fixture Dimension	304*232*183mm 11.9*9.1*7.2 inches
Net Weight	4.8kg
Carton Dimension	390*320*260mm
Gross Weight	5.7kg



120Wi

LED High Bay / Flood Tunnel Light, 240-280W HID Replacement



New



- Optical control function optional
- Dimming functions optional
- +Three In One (1-10V DC / PWM / Resistance)
- +Timer - Contact for Details

Specifications

Electrical Specifications

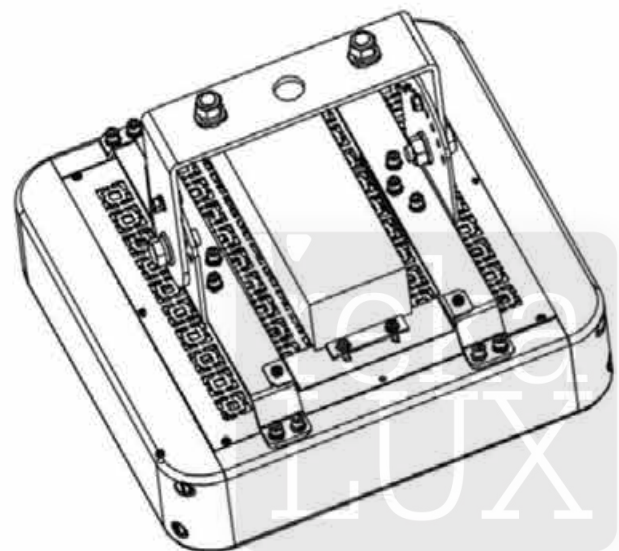
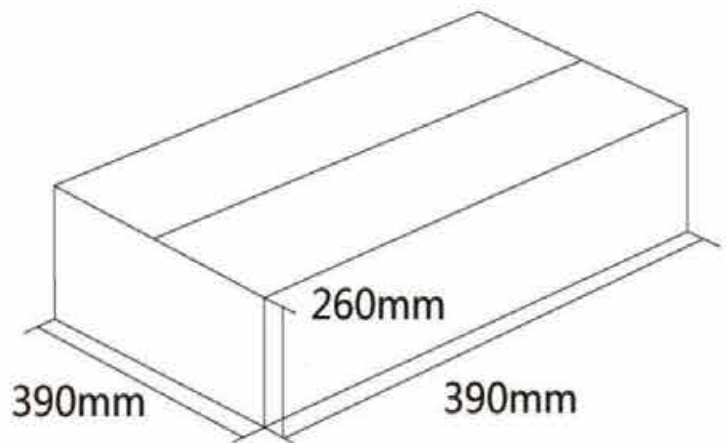
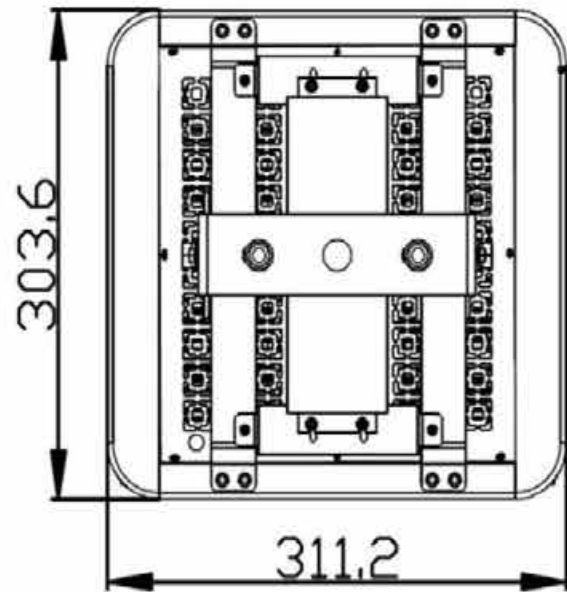
Model No.	120Wi
Nominal Wattage	120W
Nominal Voltage	90-305VAC, 50/60Hz
Maximum Current	AC 1.35A (max)
Power Factor (PF)	>0.95
Driver Efficiency	>92%

Photometric Specifications

Luminous Flux	+Lumen tolerance +/- 5%
	12,000-13,200lm
CRI	Ra>78
CCT	3000K/4000K/5000K/5700K/6500K
Optional Beam Angle	90°/100°, 30°, 60°, 120°

Mechanical Specifications

IP Rating	IP65
Lifetime	62000 hours - L70, @25°C
Heat Radiator	Anodized Aluminum
Lens	PC
Fixture Dimension	304*311*196mm
	11.9*12.2*7.7 inches
Net Weight	6.2kg
Carton Dimension	390*390*260mm
Gross Weight	7.3kg



160Wi

LED High Bay / Flood Tunnel Light, 320-400W HID Replacement



New



- Optical control function optional
- Dimming functions optional
- +Three in One (1-10V DC / PWM / Resistance)
- +Timer - Contact AOK for Details

Specifications

Electrical Specifications

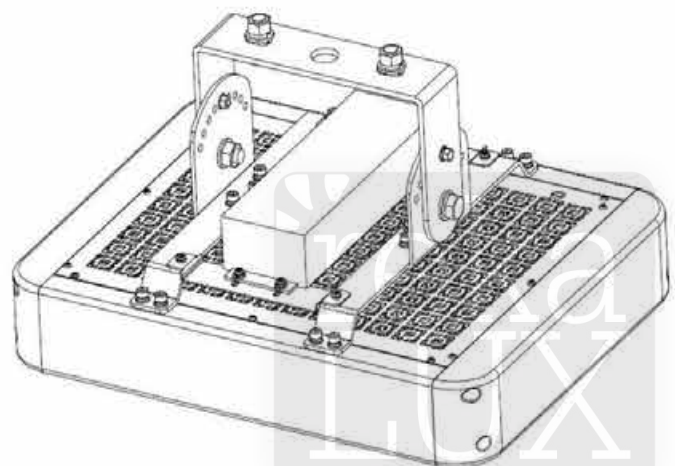
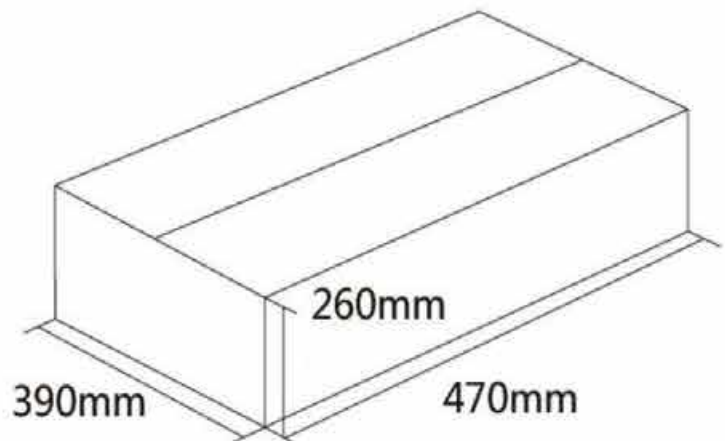
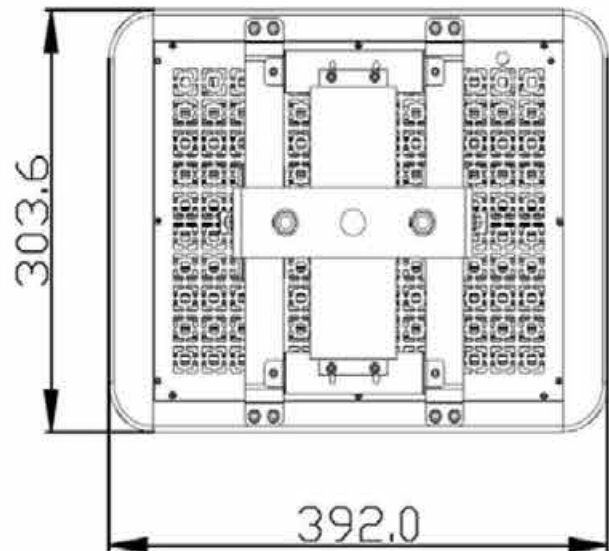
Model No:	160Wi
Nominal Wattage	160W
Nominal Voltage	90-305VAC, 50/60Hz
Maximum Current	AC 1.80A (max)
Power Factor (PF)	>0.95
Driver Efficiency	>92%

Photometric Specifications

Luminous Flux	+Lumen tolerance +/- 5%
	16,000-17,600lm
CRI	Ra>78
CCT	3000K/4000K/5000K/5700K/6500K
Optional Beam Angle	90°/100°, 30°, 60°, 120°

Mechanical Specifications

IP Rating	IP65
Lifetime	62000 hours - L70, @25°C
Heat Radiator	Anodized Aluminum
Lens	PC
Fixture Dimension	304*392*196mm
	11.9*15.4*7.7 inches
Net Weight	7.2kg
Carton Dimension	470*390*260mm
Gross Weight	8.2kg



200Wi

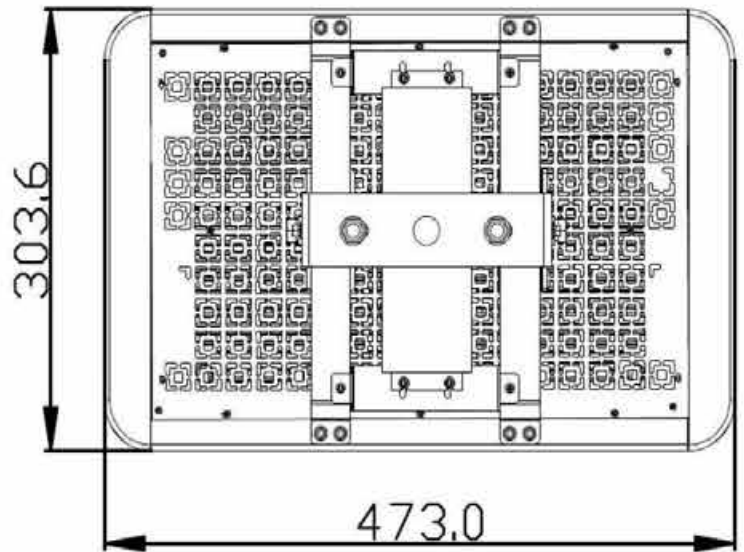
LED High Bay / Flood Tunnel Light, 400-500W HID Replacement



New



- Optical control function optional
- Dimming functions optional
- +Three In One (1-10V DC / PWM / Resistance)
- +Timer - Contact for Details



Specifications

Electrical Specifications

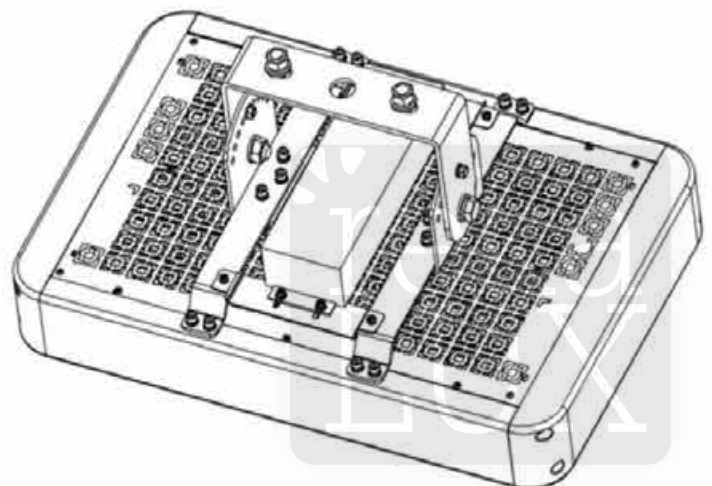
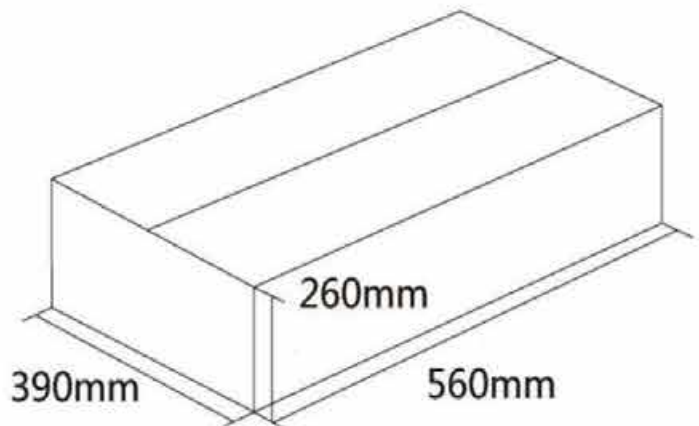
Model No:	200Wi
Nominal Wattage	200W
Nominal Voltage	90-305VAC, 50/60Hz
Maximum Current	AC 2.25A (max)
Power Factor (PF)	>0.95
Driver Efficiency	>92%

Photometric Specifications

Luminous Flux	+Lumen tolerance +/- 5%
	20,000-22,000lm
CRI	Ra>78
CCT	3000K/4000K/5000K/5700K/6500K
Optional Beam Angle	90°/100°, 30°, 60°, 120°

Mechanical Specifications

IP Rating	IP65
Lifetime	62000 hours - L70, @25°C
Heat Radiator	Anodized Aluminum
Lens	PC
Fixture Dimension	304*473*196mm
	11.9*18.6*7.7 inches
Net Weight	8.6kg
Carton Dimension	560*390*260mm
Gross Weight	9.7kg

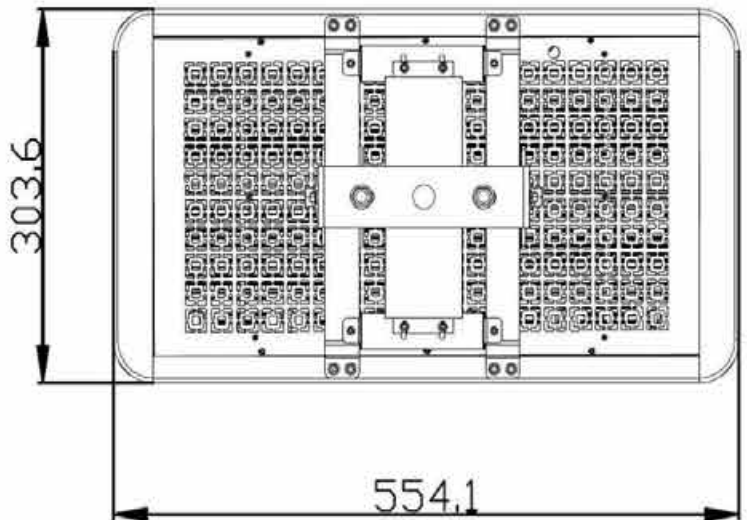


240Wi

LED High Bay / Flood Tunnel Light, 480-600W HID Replacement



New



- Optical control function optional
- Dimming functions optional
- +Three In One (1-10V DC / PWM / Resistance)
- +Timer - Contact AOK for Details

Specifications

Electrical Specifications

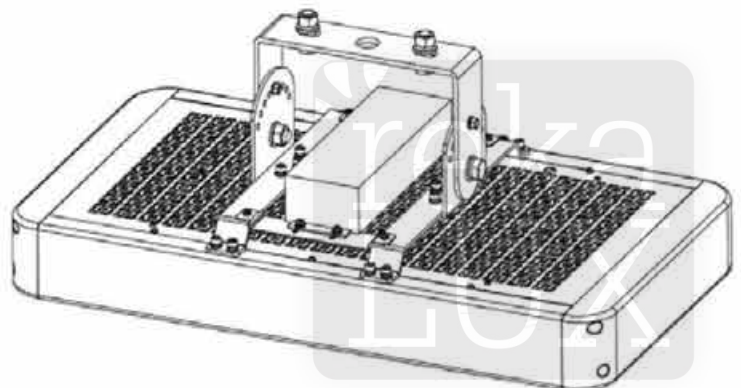
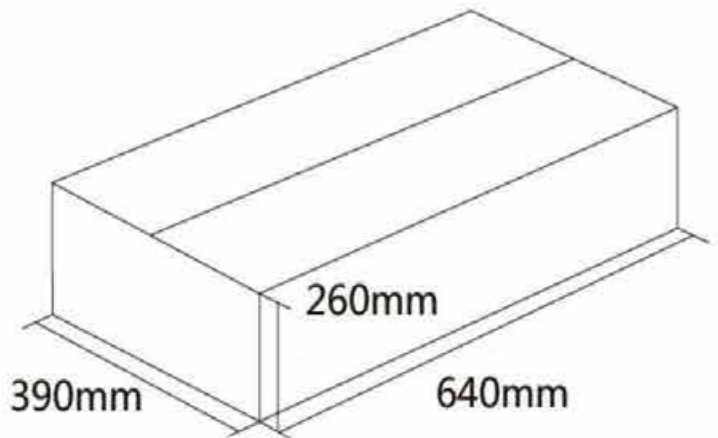
Model No.	240Wi
Nominal Wattage	240W
Nominal Voltage	90-305VAC, 50/60Hz
Maximum Current	AC 2.66A (max)
Power Factor (PF)	>0.95
Driver Efficiency	>92%

Photometric Specifications

Luminous Flux	+Lumen tolerance +/- 5% 24,000-26,400lm
CRI	Ra>78
CCT	3000K/4000K/5000K/5700K/6500K
Optional Beam Angle	90°/100°, 30°, 60°, 120°

Mechanical Specifications

IP Rating	IP65
Lifetime	62000 hours - L70, @25°C
Heat Radiator	Anodized Aluminum
Lens	PC
Fixture Dimension	304*554*196mm 11.9*21.8*7.7 inches
Net Weight	12.98kg
Carton Dimension	640*390*260mm
Gross Weight	10.7kg

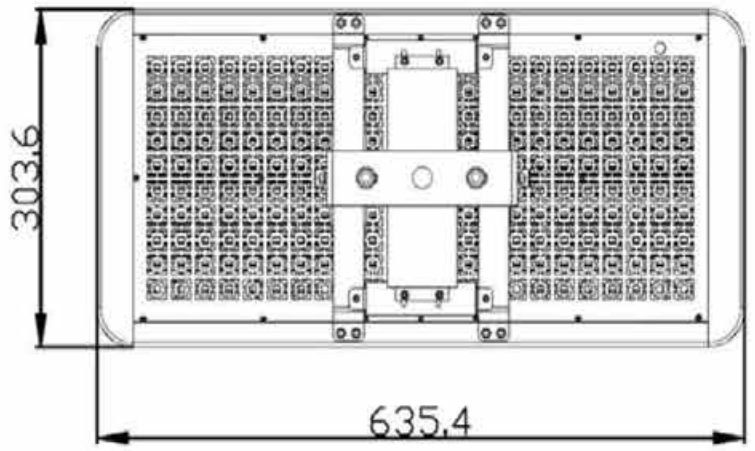


280Wi

LED High Bay / Flood Tunnel Light, 800-1000W HID Replacement



New



Optical control function optional
 Dimming functions optional
 +Three in One (1-10V DC / PWM / Resistance)
 +Timer - Contact for Details

Specifications

Electrical Specifications

Model No.	280Wi
Nominal Wattage	280W
Nominal Voltage	90-305VAC, 50/60Hz
Maximum Current	AC 3.10A (max)
Power Factor (PF)	>0.95
Driver Efficiency	>92%

Photometric Specifications

Luminous Flux	+Lumen tolerance +/- 5% 28,000-30,800lm
CRI	Ra>78
CCT	3000K/4000K/5000K/5700K/6500K
Optional Beam Angle	90°/100°, 30°, 60°, 120°

Mechanical Specifications

IP Rating	IP65
Lifetime	62000 hours - L70, @25°C
Heat Radiator	Anodized Aluminum
Lens	PC
Fixture Dimension	304*635*196mm 11.9*25*7.7 inches
Net Weight	14.6kg
Carton Dimension	720*390*260mm
Gross Weight	12.3kg

